

## General Specifications

Item	Specifications
Insulation Resistance	The measured value is 100 MΩ or more when a 500 VDC megger is applied between the windings and the case after rated operation under normal ambient temperature and humidity.
Insulation Resistance	No abnormality is judged even with application of AC1.5 kV at 50 Hz or 60 Hz between the windings and the case for 1 minute after rated operation under normal ambient temperature and humidity.
Temperature Rise	A gearhead or equivalent heat sink*1 is connected and the winding temperature rise is measured at 80°C or less using the resistance change method after rated operation under normal ambient temperature and humidity.
Heat-Resistant Class	130 (B)
Overheat Protection Device	6 W Type Impedance Protected Other Types Built-in Thermal Protector (Automatic return type) Open: 130±5°C Close: 85±20°C
Operating Ambient Temperature	-10~+40°C (non-freezing)
Operating Ambient Humidity	85% or less (non-condensing)
Degree of Protection	Lead Wire Type : IP20 Terminal Box Type : 25 W, 40 W Type IP66*2 (Excluding the installation surface of the round shaft type) : 60 W, 90 W Type IP54 (Excluding the installation surface of the round shaft type), 60 W <b>GC</b> type is IP66*2 (Excluding the installation surface of the round shaft type)

\*1 Heat sink size (Material: Aluminum)

Motor Type	Size (mm)	Thickness (mm)
6 W Type	115×115	5
15 W Type	125×125	
25 W Type	135×135	
40 W Type	165×165	
60 W, 90 W Type	200×200	

\*2 Material and surface treatment

● Material

Case and terminal box: Aluminum

Output shaft: S45C

Screw: Stainless steel (Exposed part only)



















● Surface treatment

Case and terminal box: Painted (Except the installation surface)

## KII/KIIS Series lineup

Each model is specifically designed according to the power supply specification, delivering the optimal performance in your power source environment.

Series	KII						KIIS				
	6	15	25	40	60	90	60	100	200		
Output Power [W]	6	15	25	40	60	90	60	100	200		
Frame Size [mm]	□60	□70	□80		□90		□90		□110		
Power Supply	Single-Phase 110/115 VAC 60 Hz Single-Phase 220/230 VAC 50 Hz Single-Phase 220/230 VAC 60 Hz						Three-Phase 220/230 VAC 50/60 Hz		Three-Phase 220/230 VAC 50/60 Hz Three-Phase 380/400/415 VAC 50/60 Hz		
Motor Type	Induction Motor						Induction Motor Electromagnetic Brake Motor	Induction Motor			
Type	Combination Type Round Shaft Type						Hollow Shaft Type Solid Shaft Type				
Wire Type	Lead Wire	Lead Wire Terminal Box Type						Terminal Box Type	Lead Wire Terminal Box Type		

Series	KII				KIIS					
	Induction Motor				Induction Motor			Electromagnetic Brake Motor		
Model										
Lead Wire Type										
	Combination Type		Round Shaft Type		Combination Type		Round Shaft Type	Hollow Shaft Type	Combination Type	
Terminal Box Type										
	Combination Type		Round Shaft Type		Combination Type		Round Shaft Type	Solid Shaft Type	Combination Type	

KII  
Series

6 W  
110-230 VAC

15 W  
110-230 VAC

25 W  
110-230 VAC

40 W  
110-230 VAC

60 W  
110-230 VAC

90 W  
110-230 VAC

KIIS  
Series

60 W  
220, 230 VAC

100 W  
220, 230 VAC

100 W  
220, 230 VAC  
Hollow/Solid Shaft

200 W  
220-400 VAC

KIIS  
Series

60 W  
220, 230 VAC

100 W  
220, 230 VAC

With Electromagnetic Brake

## Induction Motors

# 6 W

□ 60 mm

## Combination Type, Round Shaft Type



### Specifications - Continuous Rating



Product Name Upper Level: Combination Type Lower Level: Round Shaft Type Lead Wire Type	Output Power W	Voltage VAC	Frequency Hz	Current* A	Starting Torque mN·m	Rated Torque mN·m	Rated Speed r/min	Capacitor μF	Overheat Protection Device
<b>2IK6UA</b> -□ <b>2IK6A-UA</b>	6	Single-Phase 110	60	0.185 (0.179)	40	41	1450	2.5	ZP
		Single-Phase 115		0.189 (0.184)					
<b>2IK6GC</b> -□ <b>2IK6A-GC</b>	6	Single-Phase 220	50	0.088	32	49	1150	0.6	
		Single-Phase 230		0.090			1200		
		Single-Phase 230		0.096 (0.093)	40		41		

\* ( ) indicates the value of the round shaft type.

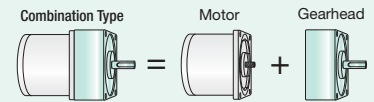
● The specifications apply to the motor only.

ZP: These products are impedance protected.

### Product Line

#### Combination Type

The combination type comes with a motor and a gearhead pre-assembled.  
The combination of the motor and the gearhead can be changed.  
They are also available separately.  
You can also remove the gearhead to change the installation position by 90°.



#### Combination Type

Product Name	Gear Ratio
<b>2IK6UA</b> -□	<b>5, 6, 7.5, 9, 12.5, 15, 18</b>
	<b>25, 30, 36</b>
	<b>50, 60, 75, 90, 100, 120, 150, 180</b>
	<b>250, 300, 360</b>
<b>2IK6GC</b> -□	<b>5, 6, 7.5, 9, 12.5, 15, 18</b>
	<b>25, 30, 36</b>
	<b>50, 60, 75, 90, 100, 120, 150, 180</b>
	<b>250, 300, 360</b>
<b>2IK6UC</b> -□	<b>5, 6, 7.5, 9, 12.5, 15, 18</b>
	<b>25, 30, 36</b>
	<b>50, 60, 75, 90, 100, 120, 150, 180</b>
	<b>250, 300, 360</b>

The following items are included in each product.

Motor, Gearhead, Capacitor, Capacitor Cap, Installation Screws, Parallel Key, Operating Manual

#### Round Shaft Type

Product Name
<b>2IK6A-UA</b>
<b>2IK6A-GC</b>
<b>2IK6A-UC</b>

The following items are included in each product.

Motor, Capacitor, Capacitor Cap, Operating Manual

● A number indicating the gear ratio is entered where the box □ is located within the product name.

## Permissible Torque on Combination Types

- The speed is calculated by dividing the motor's synchronous speed (50 Hz: 1500 r/min, 60 Hz: 1800 r/min) by the gear ratio. The actual speed is 2 to 20% less, depending on the load.

### 50 Hz

Unit : N·m

Product Name	Speed r/min	300	250	200	166	120	100	83	60	50	41	30	25	20	16.6	15	12.5	10	8.3	6	5	4.1
		Gear Ratio	5	6	7.5	9	12.5	15	18	25	30	36	50	60	75	90	100	120	150	180	250	300
<b>2IK6GC-</b> □		0.22	0.26	0.33	0.40	0.55	0.66	0.79	1.1	1.3	1.5	2.1	2.5	3.2	3.8	4.2	5.1	6	6	6	6	6

### 60 Hz

Unit : N·m

Product Name	Speed r/min	360	300	240	200	144	120	100	72	60	50	36	30	24	20	18	15	12	10	7.2	6	5
		Gear Ratio	5	6	7.5	9	12.5	15	18	25	30	36	50	60	75	90	100	120	150	180	250	300
<b>2IK6U</b> ■-□		0.18	0.22	0.28	0.33	0.46	0.55	0.66	0.92	1.1	1.3	1.8	2.1	2.6	3.2	3.5	4.2	5.0	6	6	6	6

6 W  
110~230 VAC

15 W  
110~230 VAC

25 W  
110~230 VAC

40 W  
110~230 VAC

60 W  
110~230 VAC

90 W  
110~230 VAC

KIIS Series

60 W  
220, 230 VAC

100 W  
220, 230 VAC

100 W  
220, 230 VAC  
Hollow/Solid Shaft

200 W  
220~400 VAC

KIIS Series

60 W  
220, 230 VAC

100 W  
220, 230 VAC

With Electromagnetic Brake

## Permissible Radial Load/Permissible Axial Load

→ page 32

## Permissible Inertia J of Combination Types

→ page 32

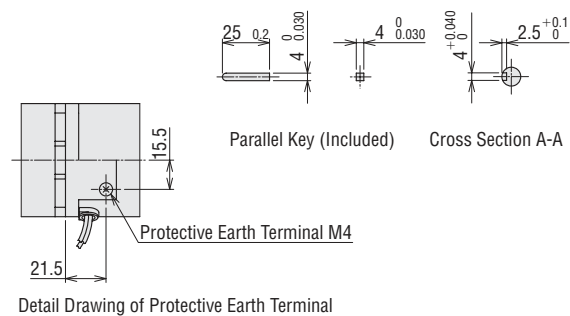
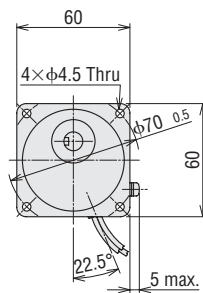
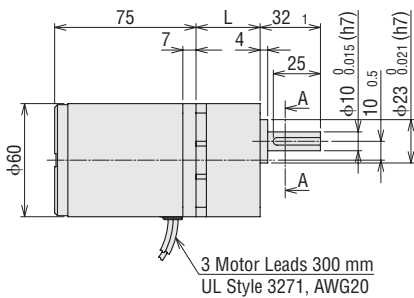
## Dimensions (Unit = mm)

- "Installation screws" are included with the combination type. Dimensions of installation screws → page 31

### Lead Wire Type

#### ◇ Combination Type

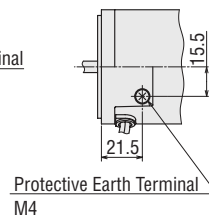
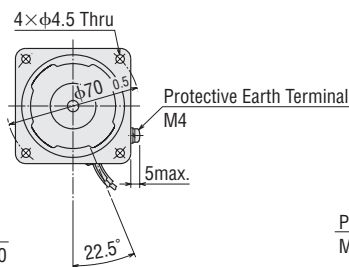
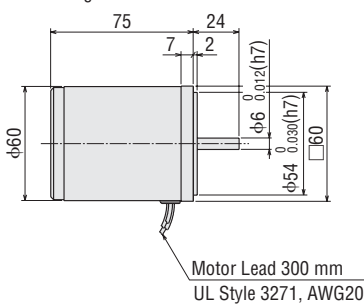
Product Name	Motor Product Name	Gearhead Product Name	Gear Ratio	L	Mass kg
<b>2IK6U</b> ■-□ <b>2IK6GC</b> -□	2IK6GV-U■ 2IK6GV-GC	2GV□B	5~25	34	1.2
			30~120	38	
			150~360	43	



#### ◇ Round Shaft Type

### 2IK6A-U■, 2IK6A-GC

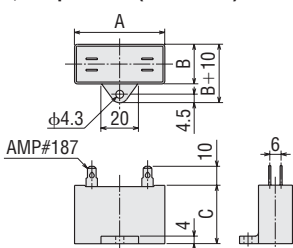
Mass: 0.7 kg



Detail Drawing of Protective Earth Terminal

#### ◇ Capacitor (Included)

Unit : mm



Product Name		Capacitor Product Name	A	B	C	Mass g
Combination Type	Round Shaft Type					
<b>2IK6UA</b> -□	<b>2IK6A-UA</b>	CH25FAUL2	31	17	27	21
<b>2IK6GC</b> -□	<b>2IK6A-GC</b>	CH06BFAUL	31	14.5	23.5	18
<b>2IK6UC</b> -□	<b>2IK6A-UC</b>	CH06BFAUL	31	14.5	23.5	18

- Capacitor Cap is included.

- Either **A** or **C** indicating the power supply voltage is replaced with the box ■ in the product name. A number indicating the gear ratio is entered where the box □ is located within the product name.

## Induction Motors

# 15 W

□ 70 mm

### Combination Type, Round Shaft Type



## Specifications - Continuous Rating



Product Name Upper Level: Combination Type Lower Level: Round Shaft Type Lead Wire Type	Output Power W	Voltage VAC	Frequency Hz	Current A	Starting Torque mN·m	Rated Torque mN·m	Rated Speed r/min	Capacitor μF	Overheat Protection Device
<b>3IK15UA-□</b> <b>3IK15A-UA</b>	15	Single-Phase 110	60	0.31	65	105	1450	4.0	TP
		Single-Phase 115		0.31					
<b>3IK15GC-□</b> <b>3IK15A-GC</b>	15	Single-Phase 220	50	0.156	80	125	1200	1.2	
		Single-Phase 230		0.157					
<b>3IK15UC-□</b> <b>3IK15A-UC</b>	15	Single-Phase 220	60	0.154	65	105	1450	1.0	
		Single-Phase 230		0.155					

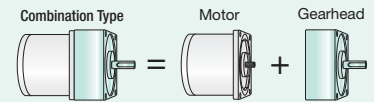
● The specifications apply to the motor only.

TP: This indicates that there is a built-in thermal protector (automatic return type). If a motor overheats for any reason, the thermal protector is activated and the motor is stopped. When the motor temperature drops, the thermal protector closes and the motor restarts automatically. Be sure to turn the power supply off before inspecting.

## Product Line

Combination Type

The combination type comes with a motor and a gearhead pre-assembled. The combination of the motor and the gearhead can be changed. They are also available separately. You can also remove the gearhead to change the installation position by 90°.



### Combination Type

Product Name	Gear Ratio
<b>3IK15UA-□</b>	<b>5, 6, 7.5, 9, 12.5, 15, 18</b>
	<b>25, 30, 36</b>
	<b>50, 60, 75, 90, 100, 120, 150, 180</b>
<b>3IK15GC-□</b>	<b>250, 300, 360</b>
	<b>5, 6, 7.5, 9, 12.5, 15, 18</b>
	<b>25, 30, 36</b>
<b>3IK15UC-□</b>	<b>50, 60, 75, 90, 100, 120, 150, 180</b>
	<b>250, 300, 360</b>
	<b>5, 6, 7.5, 9, 12.5, 15, 18</b>

The following items are included in each product.

Motor, Gearhead, Capacitor, Capacitor Cap, Installation Screws, Parallel Key, Operating Manual

### Round Shaft Type

Product Name
<b>3IK15A-UA</b>
<b>3IK15A-GC</b>
<b>3IK15A-UC</b>

The following items are included in each product.

Motor, Capacitor, Capacitor Cap, Operating Manual

● A number indicating the gear ratio is entered where the box □ is located within the product name.

## Permissible Torque on Combination Types

- The speed is calculated by dividing the motor's synchronous speed (50 Hz: 1500 r/min, 60 Hz: 1800 r/min) by the gear ratio. The actual speed is 2 to 20% less, depending on the load.

### 50 Hz

Unit : N·m

Product Name	Speed r/min	300	250	200	166	120	100	83	60	50	41	30	25	20	16.6	15	12.5	10	8.3	6	5	4.1
	Gear Ratio	5	6	7.5	9	12.5	15	18	25	30	36	50	60	75	90	100	120	150	180	250	300	360
3IK15GC-□		0.56	0.68	0.84	1.0	1.4	1.7	2.0	2.8	3.2	3.9	5.4	6.5	8.1	9.7	10	10	10	10	10	10	10

### 60 Hz

Unit : N·m

Product Name	Speed r/min	360	300	240	200	144	120	100	72	60	50	36	30	24	20	18	15	12	10	7.2	6	5
	Gear Ratio	5	6	7.5	9	12.5	15	18	25	30	36	50	60	75	90	100	120	150	180	250	300	360
3IK15U-□		0.47	0.57	0.71	0.85	1.2	1.4	1.7	2.4	2.7	3.3	4.5	5.4	6.8	8.1	9.0	10	10	10	10	10	10

6 W  
110~230 VAC

15 W  
110~230 VAC

25 W  
110~230 VAC

40 W  
110~230 VAC

60 W  
110~230 VAC

90 W  
110~230 VAC

KIIS Series

60 W  
220, 230 VAC

100 W  
220, 230 VAC

100 W  
220, 230 VAC  
Hollow/Solid Shaft

200 W  
220~400 VAC

KIIS Series

60 W  
220, 230 VAC

100 W  
220, 230 VAC

## Permissible Radial Load/Permissible Axial Load

→ page 32

## Permissible Inertia J of Combination Types

→ page 32

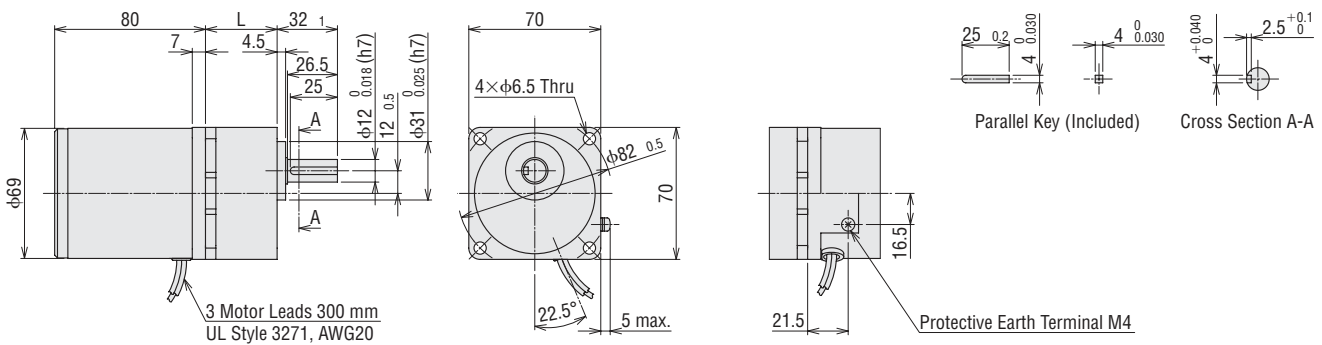
## Dimensions (Unit = mm)

- "Installation screws" are included with the combination type. Dimensions of installation screws → page 31

### Lead Wire Type

#### ◇ Combination Type

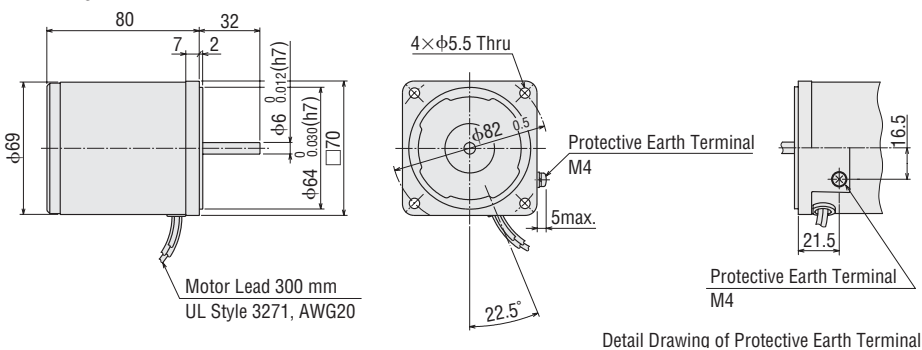
Product Name	Motor Product Name	Gearhead Product Name	Gear Ratio	L	Mass kg
3IK15U-□ 3IK15GC-□	3IK15GV-U■ 3IK15GV-GC	3GV□B	5~25	38	1.7
			30~120	43	
			150~360	48	



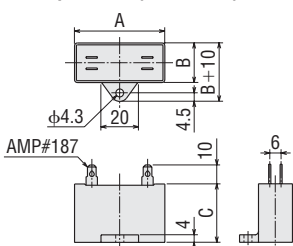
#### ◇ Round Shaft Type

### 3IK15A-U■, 3IK15A-GC

Mass: 1.1 kg



#### ◇ Capacitor (Included)



Product Name		Capacitor Product Name			Mass g	
Combination Type	Round Shaft Type	A	B	C		
3IK15UA-□	3IK15A-UA	CH40FAUL2	37	18	27	26
3IK15GC-□	3IK15A-GC	CH12BFAUL	37	18	27	28
3IK15UC-□	3IK15A-UC	CH10BFAUL	37	18	27	27

- Capacitor Cap is included.

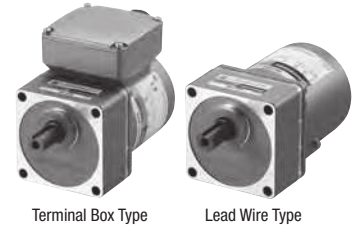
- Either **A** or **C** indicating the power supply voltage is replaced with the box ■ in the product name. A number indicating the gear ratio is entered where the box □ is located within the product name.

Induction Motors

25 W

□ 80 mm

Combination Type, Round Shaft Type



Terminal Box Type

Lead Wire Type

Specifications - Continuous Rating



Product Name Upper Level: Combination Type Lower Level: Round Shaft Type		Output Power W	Voltage VAC	Frequency Hz	Current A	Starting Torque mN·m	Rated Torque mN·m	Rated Speed r/min	Capacitor μF	Overheat Protection Device
Terminal Box Type	Lead Wire Type									
4IK25UAT2-□ 4IK25A-UAT2	4IK25UA-□ 4IK25A-UA	25	Single-Phase 110	60	0.44	120	170	1450	6.0	TP
			Single-Phase 115		0.43					
4IK25GCT2-□ 4IK25A-GCT2	4IK25GC-□ 4IK25A-GC	25	Single-Phase 220	50	0.23	120	205	1200	1.8	
			Single-Phase 230		0.23					
4IK25UCT2-□ 4IK25A-UCT2	4IK25UC-□ 4IK25A-UC	25	Single-Phase 220	60	0.22	110	170	1450	1.5	
			Single-Phase 230		0.22					

● The specifications apply to the motor only.

TP: This indicates that there is a built-in thermal protector (automatic return type). If a motor overheats for any reason, the thermal protector is activated and the motor is stopped. When the motor temperature drops, the thermal protector closes and the motor restarts automatically. Be sure to turn the power supply off before inspecting.

Product Line

**Combination Type**

The combination type comes with a motor and a gearhead pre-assembled. The combination of the motor and the gearhead can be changed. They are also available separately. You can also remove the gearhead to change the installation position by 90°.

● Combination Type

◇ Terminal Box Type

Product Name	Gear Ratio
4IK25UAT2-□	5, 6, 7.5, 9, 12.5, 15, 18
	25, 30, 36
	50, 60, 75, 90, 100, 120, 150, 180
4IK25GCT2-□	5, 6, 7.5, 9, 12.5, 15, 18
	25, 30, 36
	50, 60, 75, 90, 100, 120, 150, 180
4IK25UCT2-□	5, 6, 7.5, 9, 12.5, 15, 18
	25, 30, 36
	50, 60, 75, 90, 100, 120, 150, 180

The following items are included in each product.  
Motor, Gearhead, Capacitor, Capacitor Cap, Installation Screws, Parallel Key, Operating Manual

◇ Lead Wire Type

Product Name	Gear Ratio
4IK25UA-□	5, 6, 7.5, 9, 12.5, 15, 18
	25, 30, 36
	50, 60, 75, 90, 100, 120, 150, 180
4IK25GC-□	5, 6, 7.5, 9, 12.5, 15, 18
	25, 30, 36
	50, 60, 75, 90, 100, 120, 150, 180
4IK25UC-□	5, 6, 7.5, 9, 12.5, 15, 18
	25, 30, 36
	50, 60, 75, 90, 100, 120, 150, 180

The following items are included in each product.  
Motor, Capacitor, Capacitor Cap, Operating Manual

● Round Shaft Type

◇ Terminal Box Type

Product Name
4IK25A-UAT2
4IK25A-GCT2
4IK25A-UCT2

◇ Lead Wire Type

Product Name
4IK25A-UA
4IK25A-GC
4IK25A-UC

● A number indicating the gear ratio is entered where the box □ is located within the product name.

## Permissible Torque on Combination Types

- The speed is calculated by dividing the motor's synchronous speed (50 Hz: 1500 r/min, 60 Hz: 1800 r/min) by the gear ratio.
- The actual speed is 2 to 20% less, depending on the load.

### 50 Hz

Product Name	Speed r/min	300	250	200	166	120	100	83	60	50	41	30	25	20	16.6	15	12.5	10	8.3	6	5	4.1
	Gear Ratio	5	6	7.5	9	12.5	15	18	25	30	36	50	60	75	90	100	120	150	180	250	300	360
4IK25GC-□-□		0.92	1.1	1.4	1.7	2.3	2.8	3.3	4.6	5.3	6.3	8.8	10.6	13.2	15.9	16	16	16	16	16	16	16

Unit : N·m

### 60 Hz

Product Name	Speed r/min	360	300	240	200	144	120	100	72	60	50	36	30	24	20	18	15	12	10	7.2	6	5
	Gear Ratio	5	6	7.5	9	12.5	15	18	25	30	36	50	60	75	90	100	120	150	180	250	300	360
4IK25U-□-□		0.77	0.92	1.1	1.4	1.9	2.3	2.8	3.8	4.4	5.3	7.3	8.8	11.0	13.2	14.6	16	16	16	16	16	16

Unit : N·m

## Permissible Radial Load/Permissible Axial Load

→ page 32

## Permissible Inertia J of Combination Types

→ page 32

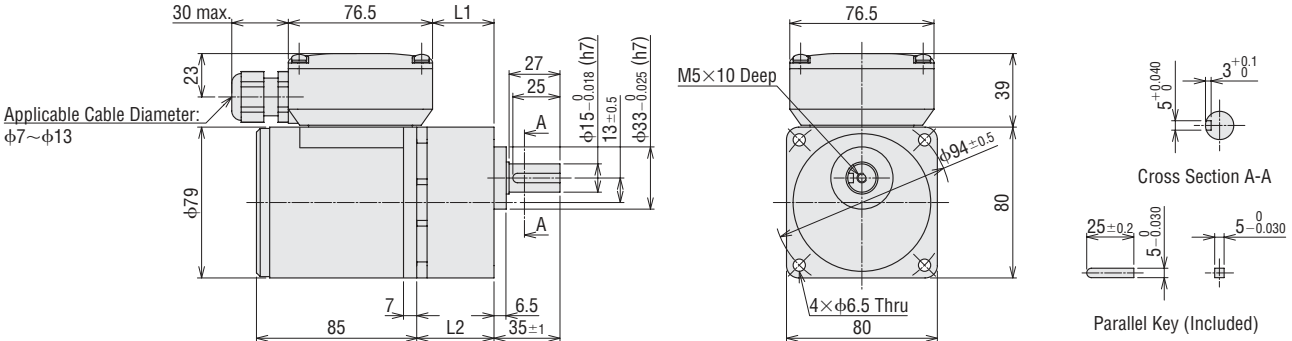
## Dimensions (Unit = mm)

- "Installation screws" are included with the combination type. Dimensions of installation screws → page 31
- The cable outlet of the terminal box can be changed and fixed to four different directions.

### Terminal Box Type

#### ◇ Combination Type

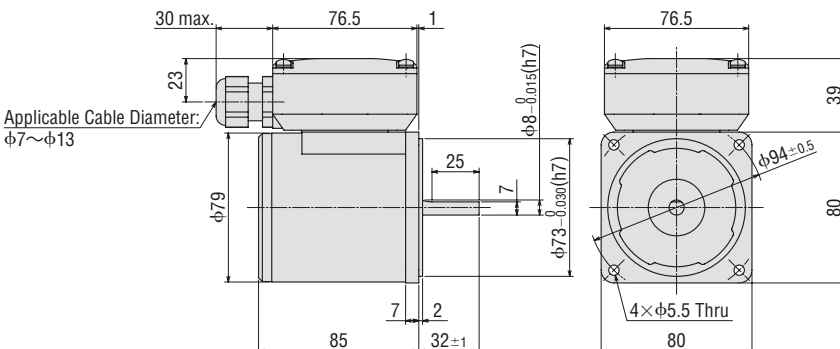
Product Name	Motor Product Name	Gearhead Product Name	Gear Ratio	L1	L2	Mass kg
4IK25U-□T2-□ 4IK25GCT2-□	4IK25GV-U-□T2 4IK25GV-GCT2	4GV-□B	5~25	32.6	41	2.75
			30~120	37.6	46	
			150~360	42.6	51	



#### ◇ Round Shaft Type

#### 4IK25A-U-□T2, 4IK25A-GCT2

Mass: 1.8 kg



- Either **A** or **C** indicating the power supply voltage is replaced with the box  in the product name.
- A code (**T2**) indicating the terminal box type is replaced with the box  in the product name.
- A number indicating the gear ratio is entered where the box  is located within the product name.

KII Series

6 W

110~230 VAC

15 W

110~230 VAC

25 W

110~230 VAC

40 W

110~230 VAC

60 W

110~230 VAC

90 W

110~230 VAC

KIIS Series

60 W

220, 230 VAC

100 W

220, 230 VAC

100 W

110~230 VAC

Hollow/Solid Shaft

200 W

220~400 VAC

KIIS Series

With Electromagnetic Brake

60 W

220, 230 VAC

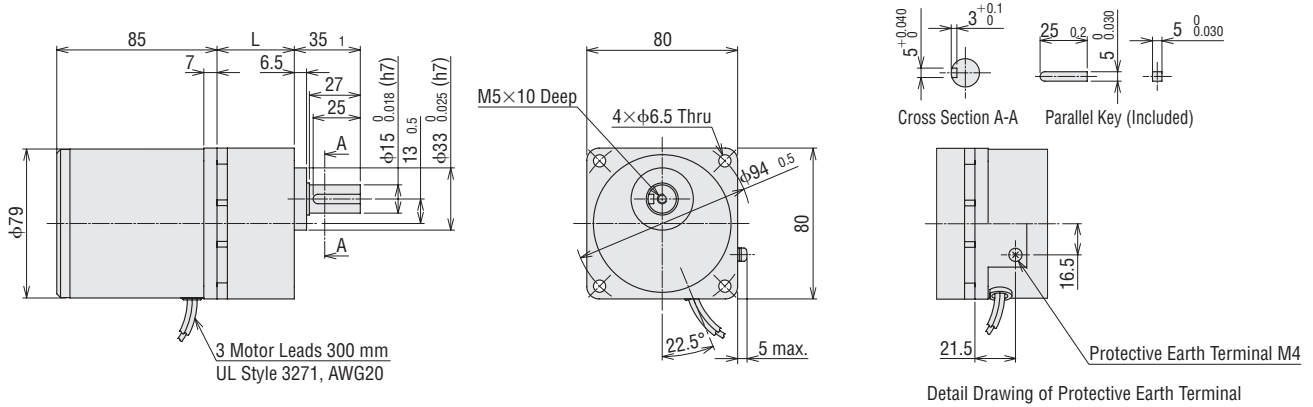
100 W

220, 230 VAC

● Lead Wire Type

◇ Combination Type

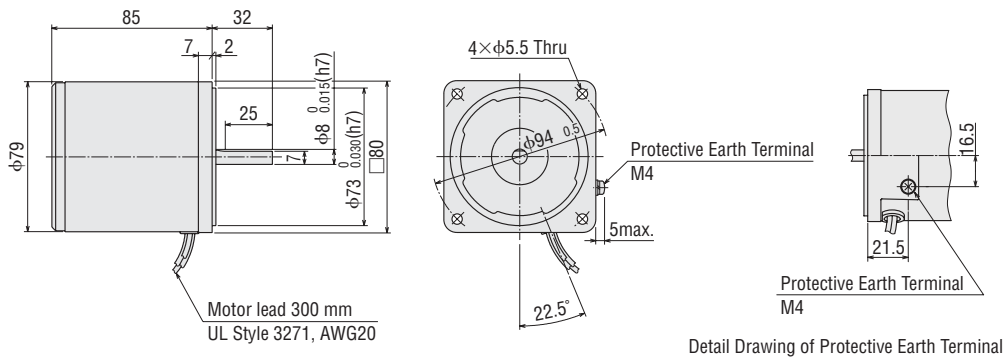
Product Name	Motor Product Name	Gearhead Product Name	Mass kg	Gear Ratio <b>5~25</b>	Gear Ratio <b>30~120</b>	Gear Ratio <b>150~360</b>
				L	L	L
<b>4IK25U</b> □-□ <b>4IK25GC</b> -□	4IK25GV-U□ 4IK25GV-GC	4GV□B	2.45	41	46	51



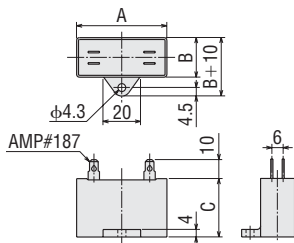
◇ Round Shaft Type

**4IK25A-U**□, **4IK25A-GC**

Mass: 1.5 kg



◇ Capacitor (Included)



Unit : mm

Product Name		Capacitor Product Name	A	B	C	Mass g
Combination Type	Round Shaft Type					
<b>4IK25UAT2</b> -□	<b>4IK25A-UAT2</b>	CH60CFAUL2	38	21	31	35
<b>4IK25UA</b> -□	<b>4IK25A-UA</b>					
<b>4IK25GCT2</b> -□	<b>4IK25A-GCT2</b>	CH18BFAUL	38	21	31	37
<b>4IK25GC</b> -□	<b>4IK25A-GC</b>					
<b>4IK25UCT2</b> -□	<b>4IK25A-UCT2</b>	CH15BFAUL	38	21	31	37
<b>4IK25UC</b> -□	<b>4IK25A-UC</b>					

● Capacitor Cap is included.

● Either **A** or **C** indicating the power supply voltage is replaced with the box □ in the product name.  
A number indicating the gear ratio is entered where the box □ is located within the product name.

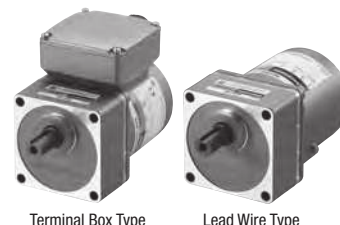


Induction Motors

**40 W**

□ 90 mm

Combination Type, Round Shaft Type



Terminal Box Type

Lead Wire Type

K11 Series

6 W  
110-230 VAC

15 W  
110-230 VAC

25 W  
110-230 VAC

40 W  
110-230 VAC

60 W  
110-230 VAC

90 W  
110-230 VAC

K15 Series

60 W  
220, 230 VAC

100 W  
220, 230 VAC

100 W  
220, 230 VAC  
Hollow/Solid Shaft

200 W  
220-400 VAC

K15 Series

With Electromagnetic Brake  
60 W  
220, 230 VAC

100 W  
220, 230 VAC



Specifications - Continuous Rating

Product Name Upper Level: Combination Type Lower Level: Round Shaft Type		Output Power W	Voltage VAC	Frequency Hz	Current A	Starting Torque mN·m	Rated Torque mN·m	Rated Speed r/min	Capacitor μF	Overheat Protection Device
Terminal Box Type	Lead Wire Type									
5IK40UAT2-□ 5IK40A-UAT2	5IK40UA-□ 5IK40A-UA	40	Single-Phase 110	60	0.66	200	260	1500	9.0	TP
			Single-Phase 115		0.65					
5IK40GCT2-□ 5IK40A-GCT2	5IK40GC-□ 5IK40A-GC	40	Single-Phase 220	50	0.34	170	315	1250	2.5	
			Single-Phase 230		0.33					
5IK40UCT2-□ 5IK40A-UCT2	5IK40UC-□ 5IK40A-UC	40	Single-Phase 220	60	0.33	200	260	1500	2.0	
			Single-Phase 230		0.32					

● The specifications apply to the motor only.

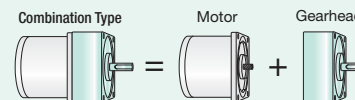
TP: This indicates that there is a built-in thermal protector (automatic return type). If a motor overheats for any reason, the thermal protector is activated and the motor is stopped.

When the motor temperature drops, the thermal protector closes and the motor restarts automatically. Be sure to turn the power supply off before inspecting.

Product Line

Combination Type

The combination type comes with a motor and a gearhead pre-assembled.  
The combination of the motor and the gearhead can be changed.  
They are also available separately.  
You can also remove the gearhead to change the installation position by 90°.



● Combination Type

◇ Terminal Box Type

Product Name	Gear Ratio
5IK40UAT2-□	5, 6, 7.5, 9, 12.5, 15, 18
	25, 30, 36
	50, 60, 75, 90, 100, 120, 150, 180
5IK40GCT2-□	250, 300
	5, 6, 7.5, 9, 12.5, 15, 18
	25, 30, 36
5IK40UCT2-□	50, 60, 75, 90, 100, 120, 150, 180
	250, 300
	5, 6, 7.5, 9, 12.5, 15, 18

◇ Lead Wire Type

Product Name	Gear Ratio
5IK40UA-□	5, 6, 7.5, 9, 12.5, 15, 18
	25, 30, 36
	50, 60, 75, 90, 100, 120, 150, 180
5IK40GC-□	250, 300
	5, 6, 7.5, 9, 12.5, 15, 18
	25, 30, 36
5IK40UC-□	50, 60, 75, 90, 100, 120, 150, 180
	250, 300
	5, 6, 7.5, 9, 12.5, 15, 18

— The following items are included in each product.

Motor, Gearhead, Capacitor, Capacitor Cap, Installation Screws, Parallel Key, Operating Manual

— The following items are included in each product.

Motor, Capacitor, Capacitor Cap, Operating Manual

● Round Shaft Type

◇ Terminal Box Type

Product Name
5IK40A-UAT2
5IK40A-GCT2
5IK40A-UCT2

◇ Lead Wire Type

Product Name
5IK40A-UA
5IK40A-GC
5IK40A-UC

● A number indicating the gear ratio is entered where the box □ is located within the product name.

## Permissible Torque on Combination Types

- The speed is calculated by dividing the motor's synchronous speed (50 Hz: 1500 r/min, 60 Hz: 1800 r/min) by the gear ratio.
- The actual speed is 2 to 20% less, depending on the load.

### 50 Hz

Unit : N·m

Product Name	Speed r/min	300	250	200	166	120	100	83	60	50	41	30	25	20	16.6	15	12.5	10	8.3	6	5
	Gear Ratio	5	6	7.5	9	12.5	15	18	25	30	36	50	60	75	90	100	120	150	180	250	300
<b>5IK40GC</b> □-□ (Single-Phase 230VAC)		1.4	1.6	2.0	2.4	3.4	4.1	4.9	6.5	7.7	9.3	12.9	15.5	19.4	23.2	25.8	29.2	30	30	30	30
<b>5IK40GC</b> □-□ (Single-Phase 220VAC)		1.4	1.7	2.1	2.6	3.5	4.3	5.1	6.8	8.1	9.8	13.5	16.3	20.3	24.4	27.1	30	30	30	30	30

### 60 Hz

Unit : N·m

Product Name	Speed r/min	360	300	240	200	144	120	100	72	60	50	36	30	24	20	18	15	12	10	7.2	6
	Gear Ratio	5	6	7.5	9	12.5	15	18	25	30	36	50	60	75	90	100	120	150	180	250	300
<b>5IK40U</b> □-□		1.2	1.4	1.8	2.1	2.9	3.5	4.2	5.6	6.7	8.0	11.2	13.4	16.8	20.1	22.4	25.3	30	30	30	30

## Permissible Radial Load/Permissible Axial Load

→ page 32

## Permissible Inertia J of Combination Types

→ page 32

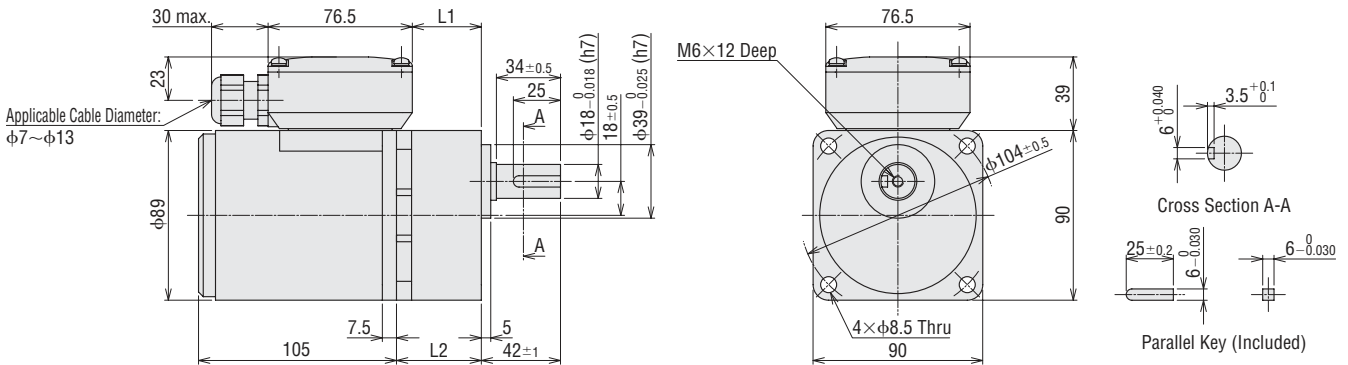
## Dimensions (Unit = mm)

- "Installation screws" are included with the combination type. Dimensions of installation screws → page 31
- The cable outlet of the terminal box can be changed and fixed to four different directions.

### Terminal Box Type

#### ◇ Combination Type

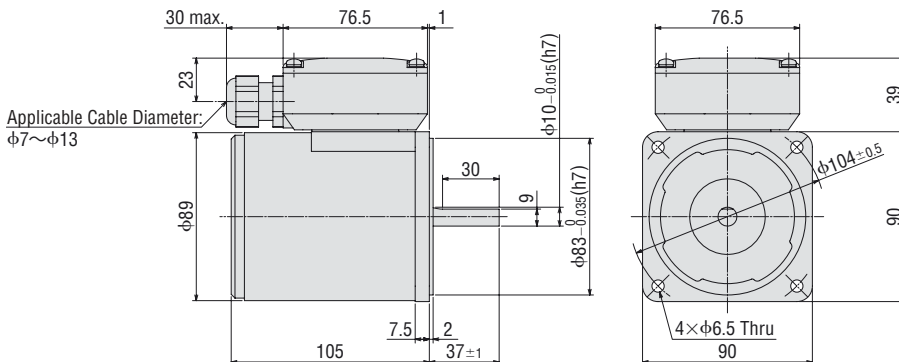
Product Name	Motor Product Name	Gearhead Product Name	Gear Ratio	L1	L2	Mass kg
<b>5IK40U</b> □ <b>T2</b> -□	5IK40GV-U□ <b>T2</b>	5GV□ <b>B</b>	<b>5~18</b>	36.6	45	4.3
<b>5IK40GC</b> □ <b>T2</b> -□	5IK40GV-G <b>T2</b>		<b>25~100</b>	49.6	58	
			<b>120~300</b>	55.6	64	



#### ◇ Round Shaft Type

#### **5IK40A-U**□**T2**, **5IK40A-G**□**T2**

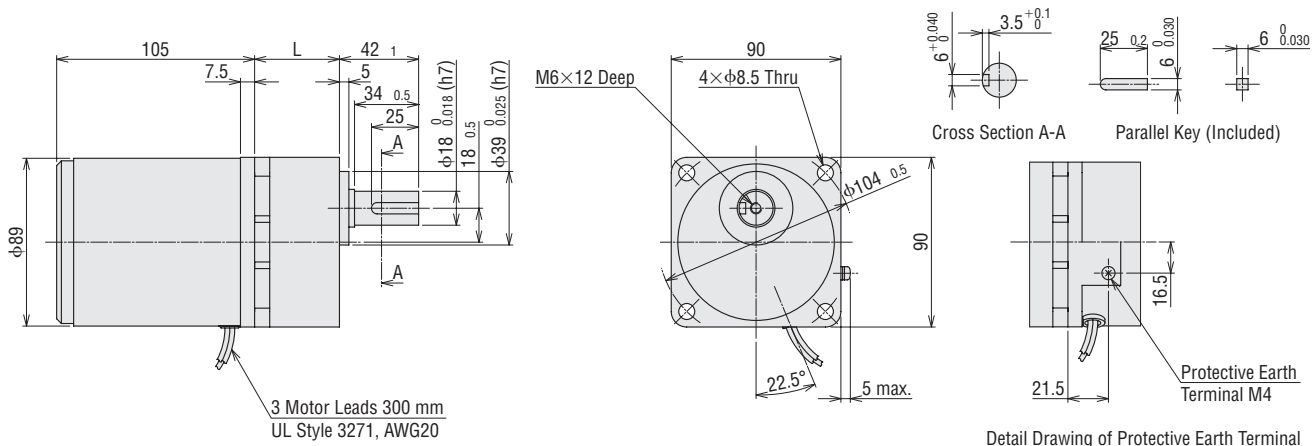
Mass: 2.8 kg



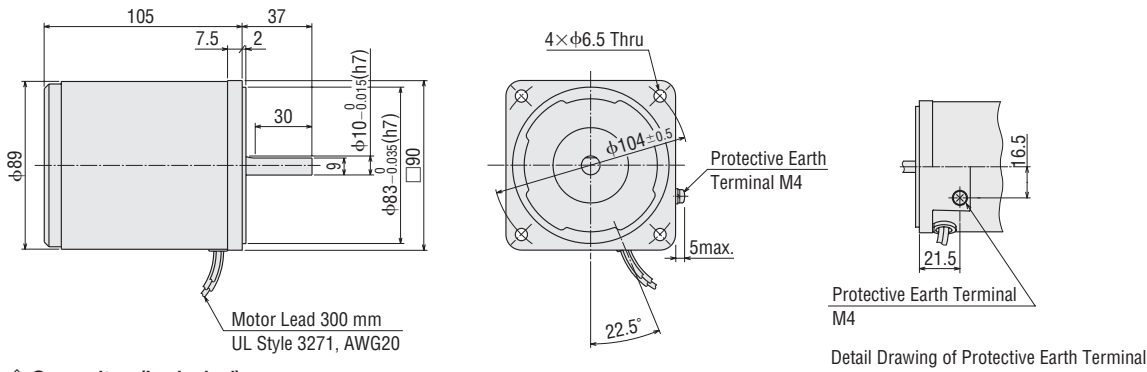
- Either **A** or **C** indicating the power supply voltage is replaced with the box **■** in the product name.
- A code (**T2**) indicating the terminal box type is replaced with the box **□** in the product name.
- A number indicating the gear ratio is entered where the box **□** is located within the product name.

● Lead Wire Type  
◇ Combination Type

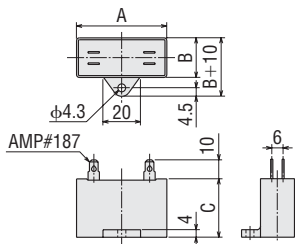
Product Name	Motor Product Name	Gearhead Product Name	Mass kg	Gear Ratio <b>5~18</b>	Gear Ratio <b>25~100</b>	Gear Ratio <b>120~300</b>
				L	L	L
<b>5IK40U</b> □-□ <b>5IK40GC</b> -□	5IK40GV-U□ 5IK40GV-GC	5GV□B	4.0	45	58	64



◇ Round Shaft Type  
**5IK40A-U**□, **5IK40A-GC**  
Mass: 2.5 kg



◇ Capacitor (Included)



Unit : mm

Product Name		Capacitor Product Name	A	B	C	Mass g
Combination Type	Round Shaft Type					
<b>5IK40UAT2</b> -□	<b>5IK40A-UAT2</b>	CH90CFAUL2	48	22.5	31.5	45
<b>5IK40UA</b> -□	<b>5IK40A-UA</b>					
<b>5IK40GCT2</b> -□	<b>5IK40A-GCT2</b>	CH25BFAUL	48	21	31	42
<b>5IK40GC</b> -□	<b>5IK40A-GC</b>					
<b>5IK40UCT2</b> -□	<b>5IK40A-UCT2</b>	CH20BFAUL	48	19	29	36
<b>5IK40UC</b> -□	<b>5IK40A-UC</b>					

● Capacitor Cap is included.

KII Series

6 W  
110~230 VAC

15 W  
110~230 VAC

Induction  
25 W  
110~230 VAC

40 W  
110~230 VAC

60 W  
110~230 VAC

90 W  
110~230 VAC

KIS Series

60 W  
220, 230 VAC

100 W  
220, 230 VAC

Induction  
100 W  
220, 230 VAC  
Hollow/Solid Shaft

200 W  
220~400 VAC

KIS Series

With Electromagnetic Brake  
60 W  
220, 230 VAC

100 W  
220, 230 VAC

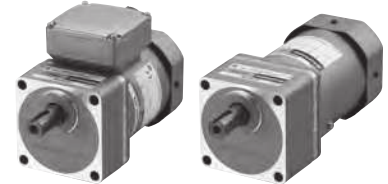
● Either **A** or **C** indicating the power supply voltage is replaced with the box □ in the product name.  
A number indicating the gear ratio is entered where the box □ is located within the product name.

Induction Motors

60 W

□ 90 mm

Combination Type, Round Shaft Type



Terminal Box Type

Lead Wire Type

Specifications - Continuous Rating



Product Name Upper Level: Combination Type Lower Level: Round Shaft Type		Output Power W	Voltage VAC	Frequency Hz	Current A	Starting Torque mN·m	Rated Torque mN·m	Rated Speed r/min	Capacitor μF	Overheat Protection Device
Terminal Box Type	Lead Wire Type									
5IK60UAT2-□ 5IK60A-UAT2	5IK60UA-□ 5IK60A-UA	60	Single-Phase 110	60	1.09	320	405	1450	16	TP
			Single-Phase 115		1.09					
5IK60GCT2-□ 5IK60A-GCT2	5IK60GC-□ 5IK60A-GC	60	Single-Phase 220	50	0.49	290	490	1200	4.0	
			Single-Phase 230		0.49	320				
5IK60UCT2-□ 5IK60A-UCT2	5IK60UC-□ 5IK60A-UC	60	Single-Phase 220	60	0.53	320	405	1450	4.0	
			Single-Phase 230		0.52					

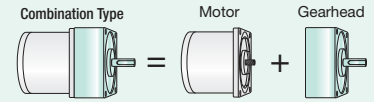
● The specifications apply to the motor only.

TP: This indicates that there is a built-in thermal protector (automatic return type). If a motor overheats for any reason, the thermal protector is activated and the motor is stopped. When the motor temperature drops, the thermal protector closes and the motor restarts automatically. Be sure to turn the power supply off before inspecting.

Product Line

Combination Type

The combination type comes with a motor and a gearhead pre-assembled. The combination of the motor and the gearhead can be changed. They are also available separately. You can also remove the gearhead to change the installation position by 90°.



● Combination Type

◇ Terminal Box Type

Product Name	Gear Ratio
5IK60UAT2-□	5, 6, 7.5, 9, 12.5, 15, 18
	25, 30, 36, 50, 60, 75, 90, 100
	120, 150, 180
	250, 300
5IK60GCT2-□	5, 6, 7.5, 9, 12.5, 15, 18
	25, 30, 36, 50, 60, 75, 90, 100
	120, 150, 180
	250, 300
5IK60UCT2-□	5, 6, 7.5, 9, 12.5, 15, 18
	25, 30, 36, 50, 60, 75, 90, 100
	120, 150, 180
	250, 300

The following items are included in each product.

Motor, Gearhead, Capacitor, Capacitor Cap, Installation Screws, Parallel Key, Operating Manual

◇ Lead Wire Type

Product Name	Gear Ratio
5IK60UA-□	5, 6, 7.5, 9, 12.5, 15, 18
	25, 30, 36, 50, 60, 75, 90, 100
	120, 150, 180
	250, 300
5IK60GC-□	5, 6, 7.5, 9, 12.5, 15, 18
	25, 30, 36, 50, 60, 75, 90, 100
	120, 150, 180
	250, 300
5IK60UC-□	5, 6, 7.5, 9, 12.5, 15, 18
	25, 30, 36, 50, 60, 75, 90, 100
	120, 150, 180
	250, 300

The following items are included in each product.

Motor, Capacitor, Capacitor Cap, Operating Manual

● Round Shaft Type

◇ Terminal Box Type

Product Name
5IK60A-UAT2
5IK60A-GCT2
5IK60A-UCT2

◇ Lead Wire Type

Product Name
5IK60A-UA
5IK60A-GC
5IK60A-UC

● A number indicating the gear ratio is entered where the box □ is located within the product name.

## Permissible Torque on Combination Types

- The speed is calculated by dividing the motor's synchronous speed (50 Hz: 1500 r/min, 60 Hz: 1800 r/min) by the gear ratio.
- The actual speed is 2 to 20% less, depending on the load.

### 50 Hz

Product Name	Speed r/min	300	250	200	166	120	100	83	60	50	41	30	25	20	16.6	15	12.5	10	8.3	6	5
	Gear Ratio	5	6	7.5	9	12.5	15	18	25	30	36	50	60	75	90	100	120	150	180	250	300
5IK60GC□-□		2.2	2.6	3.3	4.0	5.5	6.6	7.9	10.5	12.6	15.2	21.1	25.3	30	30	30	30	30	30	30	30

### 60 Hz

Product Name	Speed r/min	360	300	240	200	144	120	100	72	60	50	36	30	24	20	18	15	12	10	7.2	6
	Gear Ratio	5	6	7.5	9	12.5	15	18	25	30	36	50	60	75	90	100	120	150	180	250	300
5IK60U□-□		1.8	2.2	2.7	3.3	4.6	5.5	6.6	8.7	10.4	12.5	17.4	20.9	26.1	30	30	30	30	30	30	30

## Permissible Radial Load/Permissible Axial Load

→ page 32

## Permissible Inertia J of Combination Types

→ page 32

## Dimensions (Unit = mm)

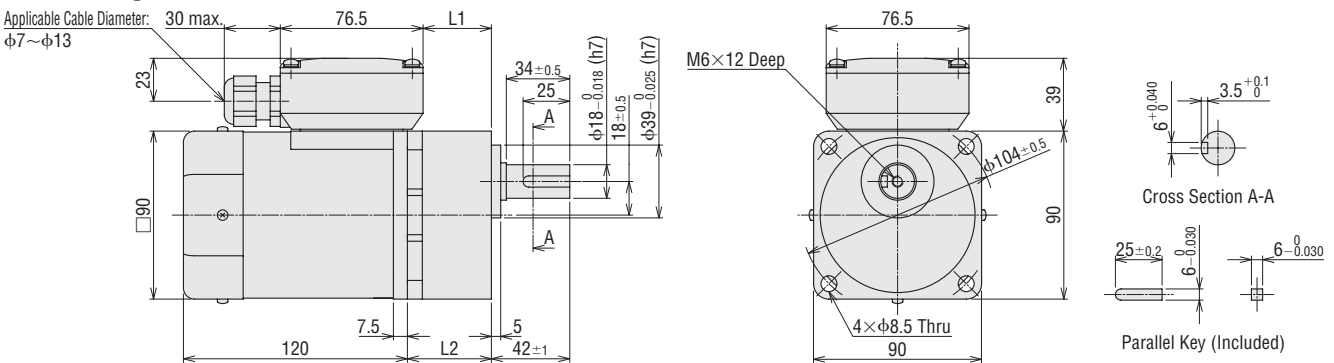
- "Installation screws" are included with the combination type. Dimensions of installation screws → page 31
- The cable outlet of the terminal box can be changed and fixed to four different directions.

### Terminal Box Type

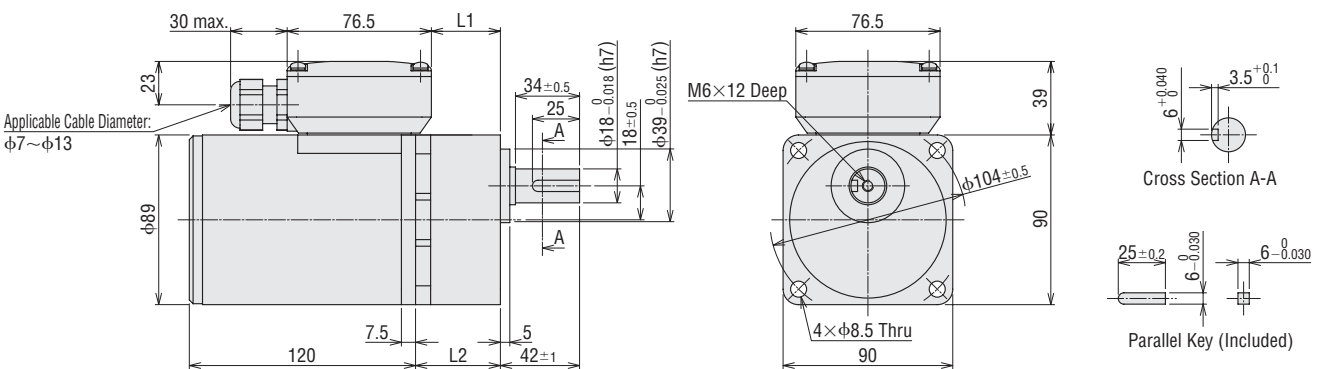
#### ◇ Combination Type

Dimensions No.	Product Name	Motor Product Name	Gearhead Product Name	Mass kg	Gear Ratio 5~18		Gear Ratio 25~100		Gear Ratio 120~300	
					L1	L2	L1	L2	L1	L2
①	5IK60U□T2-□	5IK60GVH-U□T2	5GVH□B	4.5	36.6	45	49.6	58	55.6	64
②	5IK60GCT2-□	5IK60GVH-GCT2		4.7						

#### • Dimensions ①



#### • Dimensions ②



- Either **A** or **C** indicating the power supply voltage is replaced with the box  in the product name.
- A code (**T2**) indicating the terminal box type is replaced with the box  in the product name.
- A number indicating the gear ratio is entered where the box  is located within the product name.

KII Series

6 W

110~230 VAC

15 W

110~230 VAC

25 W

110~230 VAC

40 W

110~230 VAC

60 W

110~230 VAC

90 W

110~230 VAC

KIS Series

60 W

220, 230 VAC

100 W

220, 230 VAC

100 W

220, 230 VAC

Hollow/Solid Shaft

200 W

220~400 VAC

KIS Series

60 W

220, 230 VAC

100 W

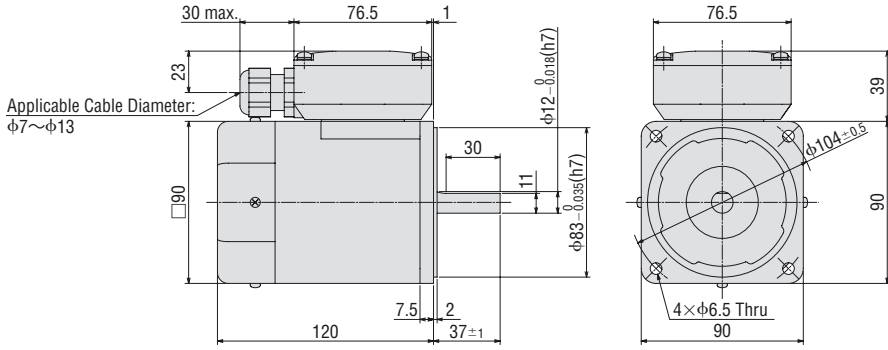
220, 230 VAC

With Electromagnetic Brake

◇ Round Shaft Type

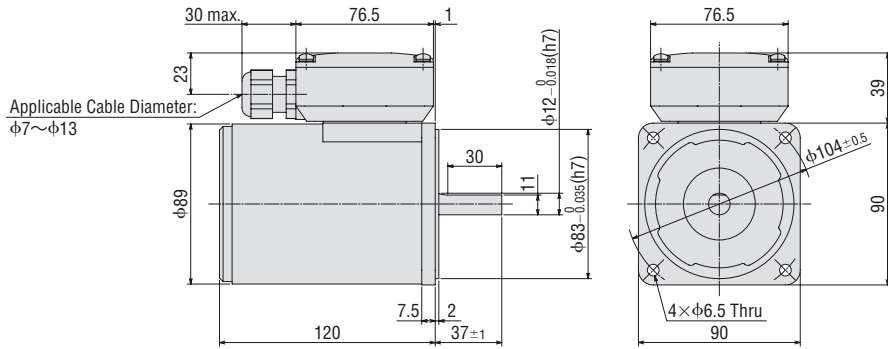
**5IK60A-U** T2

Mass: 3.0 kg



**5IK60A-GCT2**

Mass: 3.2 kg

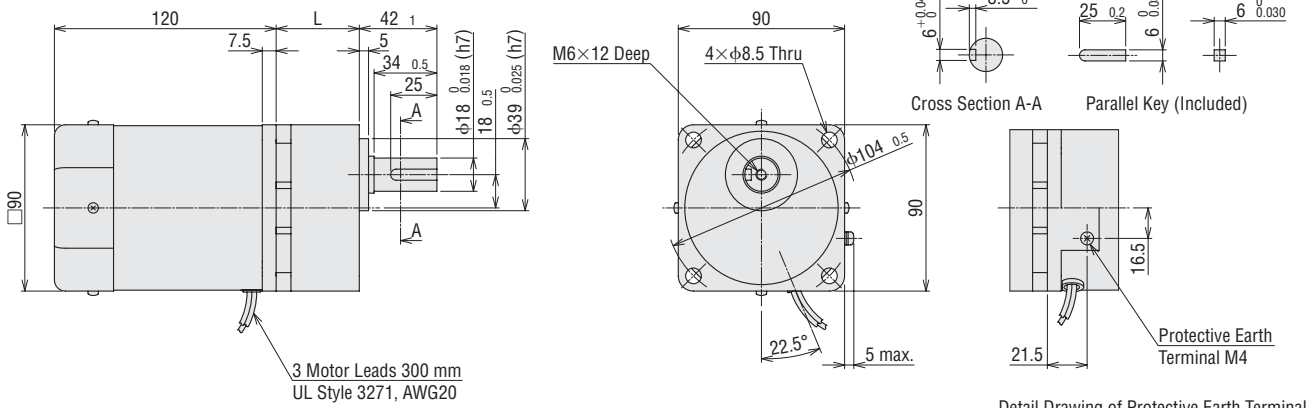


● Lead Wire Type

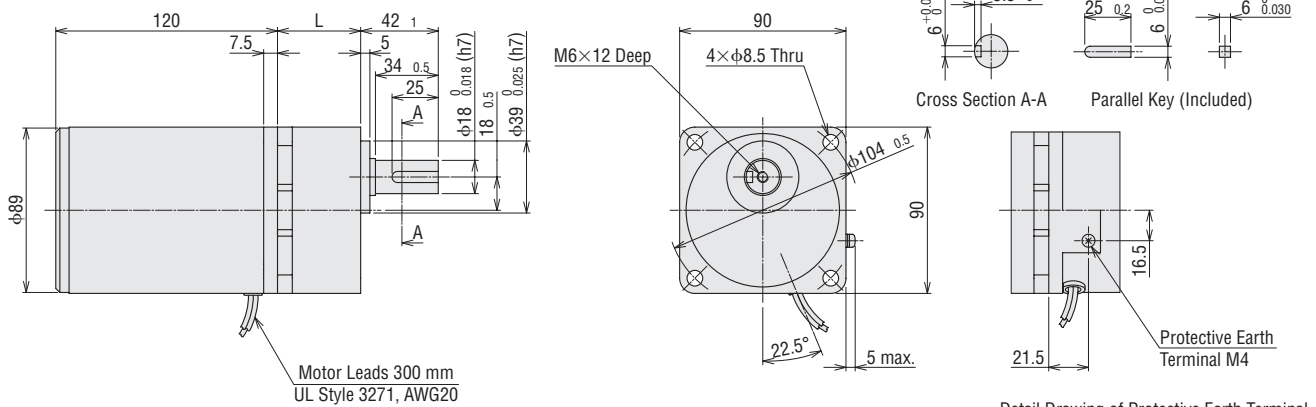
◇ Combination Type

Dimensions No.	Product Name	Motor Product Name	Gearhead Product Name	Mass kg	Gear Ratio 5~18	Gear Ratio 25~100	Gear Ratio 120~300
					L	L	L
③	<b>5IK60U</b> □-□	5IK60GVH-U □	5GVH □B	4.2	45	58	64
④	<b>5IK60GC</b> -□	5IK60GVH-GC		4.4			

● Dimensions ③



● Dimensions ④

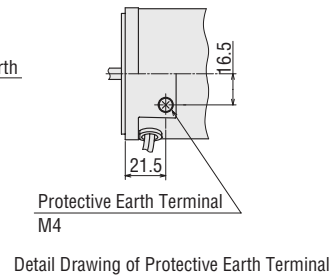
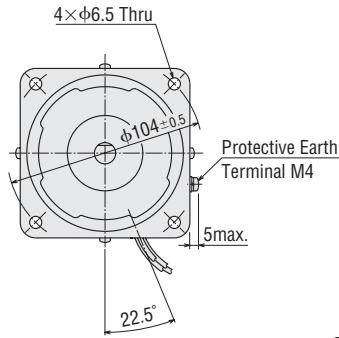
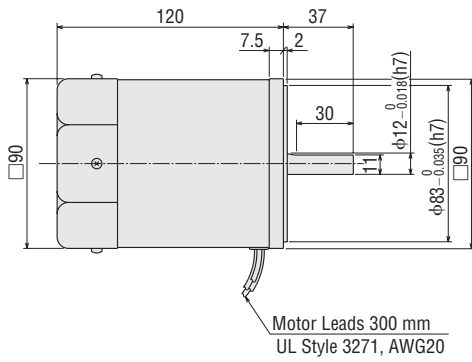


● Either **A** or **C** indicating the power supply voltage is replaced with the box □ in the product name.  
A number indicating the gear ratio is entered where the box □ is located within the product name.

◇ Round Shaft Type

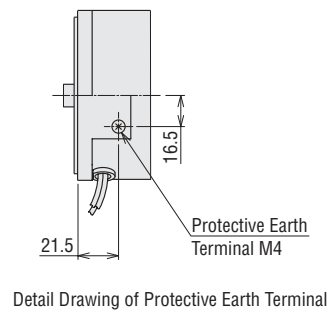
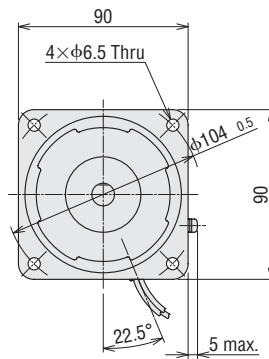
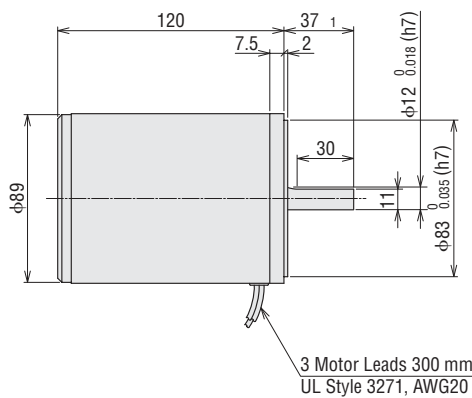
**5IK60A-U**■

Mass: 2.7 kg

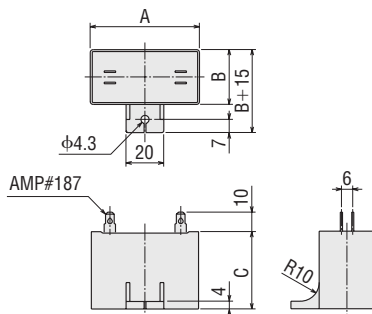


**5IK60A-GC**

Mass: 2.9 kg



◇ Capacitor (Included)



Unit : mm

Product Name		Capacitor Product Name	A	B	C	Mass g
Combination Type	Round Shaft Type					
<b>5IK60UAT2-</b> □	<b>5IK60A-UAT2</b>	CH160CFAUL2	58	23.5	37	71
<b>5IK60UA-</b> □	<b>5IK60A-UA</b>					
<b>5IK60GCT2-</b> □	<b>5IK60A-GCT2</b>	CH40BFAUL	58	23.5	37	73
<b>5IK60GC-</b> □	<b>5IK60A-GC</b>					
<b>5IK60UCT2-</b> □	<b>5IK60A-UCT2</b>	CH40BFAUL	58	23.5	37	73
<b>5IK60UC-</b> □	<b>5IK60A-UC</b>					

● Capacitor Cap is included.

**KII**  
Series

6 W  
110-230 VAC

15 W  
110-230 VAC

Induction  
25 W  
110-230 VAC

40 W  
110-230 VAC

60 W  
110-230 VAC

90 W  
110-230 VAC

**KIIS**  
Series

60 W  
220, 230 VAC

Induction  
100 W  
220, 230 VAC  
Hollow/Solid Shaft

100 W  
220, 230 VAC  
Hollow/Solid Shaft

200 W  
220-400 VAC

**KIIS**  
Series

With Electromagnetic Brake  
60 W  
220, 230 VAC

100 W  
220, 230 VAC

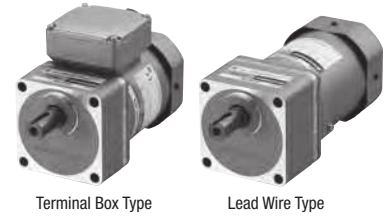
● Either **A** or **C** indicating the power supply voltage is replaced with the box ■ in the product name.  
A number indicating the gear ratio is entered where the box □ is located within the product name.

Induction Motors

90 W

□ 90 mm

Combination Type, Round Shaft Type



Specifications - Continuous Rating



Product Name Upper Level: Combination Type Lower Level: Round Shaft Type		Output Power W	Voltage VAC	Frequency Hz	Current A	Starting Torque mN·m	Rated Torque mN·m	Rated Speed r/min	Capacitor μF	Overheat Protection Device
Terminal Box Type	Lead Wire Type									
51K90UAT2-□ 51K90A-UAT2	51K90UA-□ 51K90A-UA	90	Single-Phase 110	60	1.44	450	585	1500	20	TP
			Single-Phase 115		1.44					
51K90GCT2-□ 51K90A-GCT2	51K90GC-□ 51K90A-GC	90	Single-Phase 220	50	0.70	480	730	1200	6.0	
			Single-Phase 230		0.70					
51K90UCT2-□ 51K90A-UCT2	51K90UC-□ 51K90A-UC	90	Single-Phase 220	60	0.71	450	605	1450	5.0	
			Single-Phase 230		0.71					

● The specifications apply to the motor only.

TP: This indicates that there is a built-in thermal protector (automatic return type). If a motor overheats for any reason, the thermal protector is activated and the motor is stopped. When the motor temperature drops, the thermal protector closes and the motor restarts automatically. Be sure to turn the power supply off before inspecting.

Product Line

<p>Combination Type</p>	<p>The combination type comes with a motor and a gearhead pre-assembled. The combination of the motor and the gearhead can be changed. They are also available separately. You can also remove the gearhead to change the installation position by 90°.</p>	
-------------------------	---	--

● Combination Type

◇ Terminal Box Type

Product Name	Gear Ratio
51K90UAT2-□	5, 6, 7.5, 9, 12.5, 15, 18
	25, 30, 36, 50, 60
	75, 90, 100, 120, 150, 180
51K90GCT2-□	5, 6, 7.5, 9, 12.5, 15, 18
	25, 30, 36, 50, 60
	75, 90, 100, 120, 150, 180
51K90UCT2-□	5, 6, 7.5, 9, 12.5, 15, 18
	25, 30, 36, 50, 60
	75, 90, 100, 120, 150, 180

The following items are included in each product.  
Motor, Gearhead, Capacitor, Capacitor Cap, Installation Screws, Parallel Key, Operating Manual

◇ Lead Wire Type

Product Name	Gear Ratio
51K90UA-□	5, 6, 7.5, 9, 12.5, 15, 18
	25, 30, 36, 50, 60
	75, 90, 100, 120, 150, 180
51K90GC-□	5, 6, 7.5, 9, 12.5, 15, 18
	25, 30, 36, 50, 60
	75, 90, 100, 120, 150, 180
51K90UC-□	5, 6, 7.5, 9, 12.5, 15, 18
	25, 30, 36, 50, 60
	75, 90, 100, 120, 150, 180

● Round Shaft Type

◇ Terminal Box Type

Product Name
51K90A-UAT2
51K90A-GCT2
51K90A-UCT2

◇ Lead Wire Type

Product Name
51K90A-UA
51K90A-GC
51K90A-UC

The following items are included in each product.  
Motor, Capacitor, Capacitor Cap, Operating Manual

● A number indicating the gear ratio is entered where the box □ is located within the product name.



## Permissible Torque on Combination Types

- The speed is calculated by dividing the motor's synchronous speed (50 Hz: 1500 r/min, 60 Hz: 1800 r/min) by the gear ratio.
- The actual speed is 2 to 20% less, depending on the load.

### 50 Hz

Product Name	Speed r/min	300	250	200	166	120	100	83	60	50	41	30	25	20	16.6	15	12.5	10	8.3
	Gear Ratio	5	6	7.5	9	12.5	15	18	25	30	36	50	60	75	90	100	120	150	180
5IK90GC□-□		3.3	3.9	4.9	5.9	8.2	9.9	11.3	15.7	18.8	22.6	31.4	37.7	40	40	40	40	40	40

### 60 Hz

Product Name	Speed r/min	360	300	240	200	144	120	100	72	60	50	36	30	24	20	18	15	12	10
	Gear Ratio	5	6	7.5	9	12.5	15	18	25	30	36	50	60	75	90	100	120	150	180
5IK90UA□-□		2.6	3.2	3.9	4.7	6.6	7.9	9.1	12.6	15.1	18.1	25.2	30.2	35.5	40	40	40	40	40
5IK90UC□-□		2.7	3.3	4.1	4.9	6.8	8.2	9.4	13.0	15.6	18.7	26.0	31.2	36.8	40	40	40	40	40

## Permissible Radial Load/Permissible Axial Load

→ page 32

## Permissible Inertia J of Combination Types

→ page 32

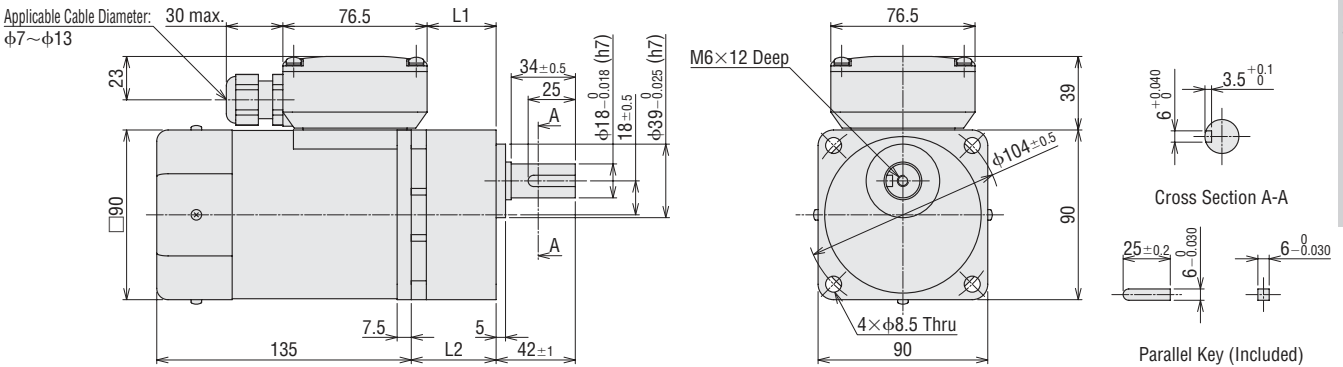
## Dimensions (Unit = mm)

- "Installation screws" are included with the combination type. Dimensions of installation screws → page 31
- The cable outlet of the terminal box can be changed and fixed to four different directions.

### Terminal Box Type

#### ◇ Combination Type

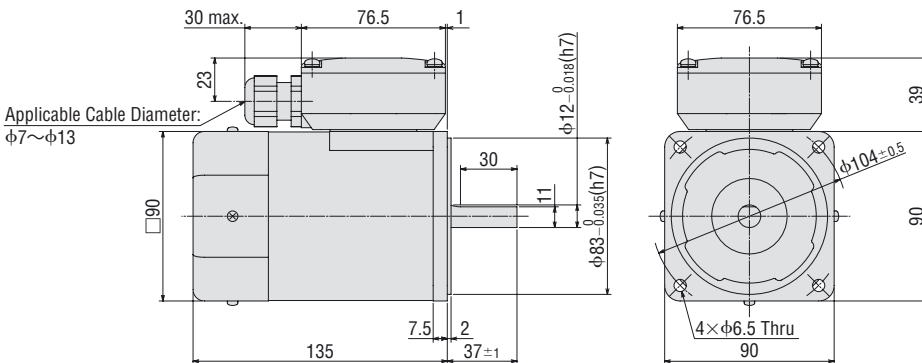
Product Name	Motor Product Name	Gearhead Product Name	Gear Ratio	L1	L2	Mass kg
5IK90U□T2-□	5IK90GVR-U□T2	5GVR□B	5~15	36.6	45	5.0
5IK90GCT2-□	5IK90GVR-GCT2		18~36	49.6	58	
			50~180	61.6	70	



#### ◇ Round Shaft Type

#### 5IK90A-U□T2, 5IK90A-GCT2

Mass: 3.5 kg



- Either **A** or **C** indicating the power supply voltage is replaced with the box  in the product name.
- A code (**T2**) indicating the terminal box type is replaced with the box  in the product name.
- A number indicating the gear ratio is entered where the box  is located within the product name.

KII Series

6 W

110~230 VAC

15 W

110~230 VAC

25 W

110~230 VAC

40 W

110~230 VAC

60 W

110~230 VAC

90 W

110~230 VAC

KIIS Series

60 W

220, 230 VAC

100 W

220, 230 VAC

Induction

100 W

220, 230 VAC

Hollow/Solid Shaft

200 W

220~400 VAC

KIIS Series

With Electromagnetic Brake

60 W

220, 230 VAC

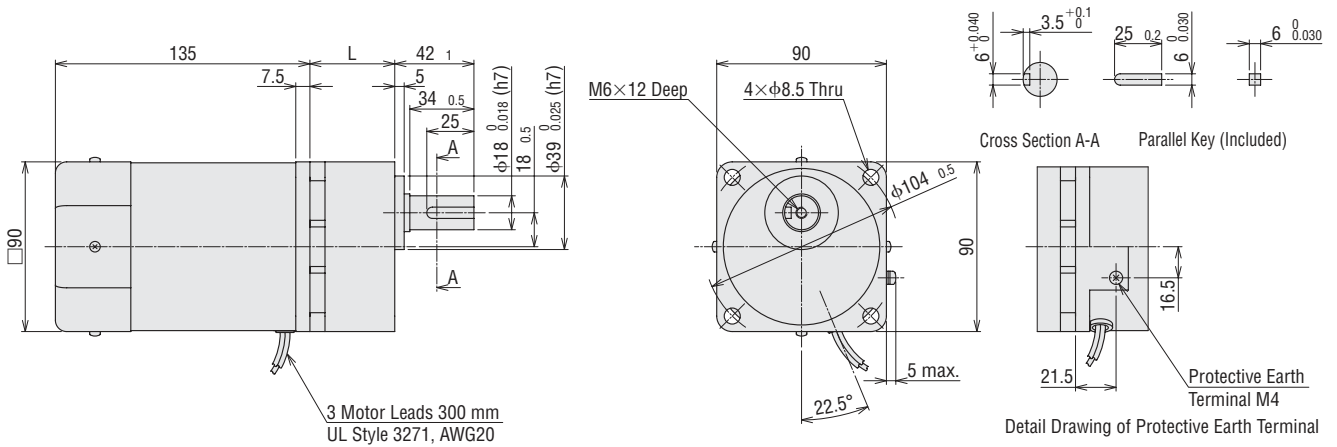
100 W

220, 230 VAC

● Lead Wire Type

◇ Combination Type

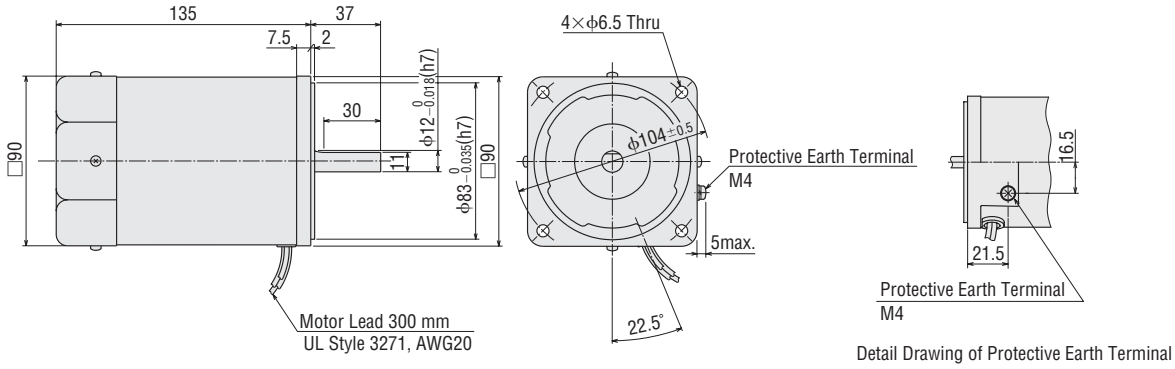
Product Name	Motor Product Name	Gearhead Product Name	Mass kg	Gear Ratio <b>5~15</b>	Gear Ratio <b>18~36</b>	Gear Ratio <b>50~180</b>
				L	L	L
<b>51K90U</b> □-□ <b>51K90GC</b> -□	51K90GVR-U□ 51K90GVR-GC	5GVR□B	4.7	45	58	70



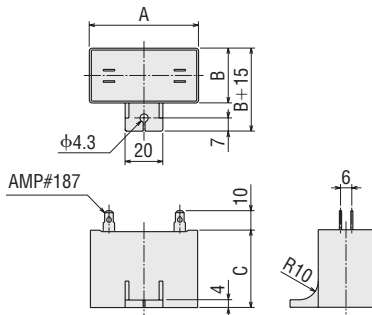
◇ Round Shaft Type

**51K90A-U**□, **51K90A-GC**

Mass: 3.2 kg



◇ Capacitor (Included)



Unit : mm

Product Name		Capacitor Product Name	A	B	C	Mass g
Combination Type	Round Shaft Type					
<b>51K90UAT2</b> -□ <b>51K90UA</b> -□	<b>51K90A-UAT2</b> <b>51K90A-UA</b>	CH200CFAUL2	58	29	41	91
<b>51K90GCT2</b> -□ <b>51K90GC</b> -□	<b>51K90A-GCT2</b> <b>51K90A-GC</b>	CH60BFAUL	58	29	41	92
<b>51K90UCT2</b> -□ <b>51K90UC</b> -□	<b>51K90A-UCT2</b> <b>51K90A-UC</b>	CH50BFAUL	58	29	41	93

● Capacitor Cap is included.

● Either **A** or **C** indicating the power supply voltage is replaced with the box □ in the product name.  
● A number indicating the gear ratio is entered where the box □ is located within the product name.